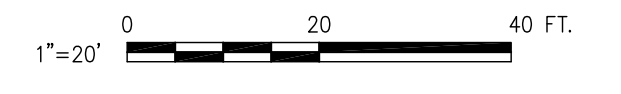
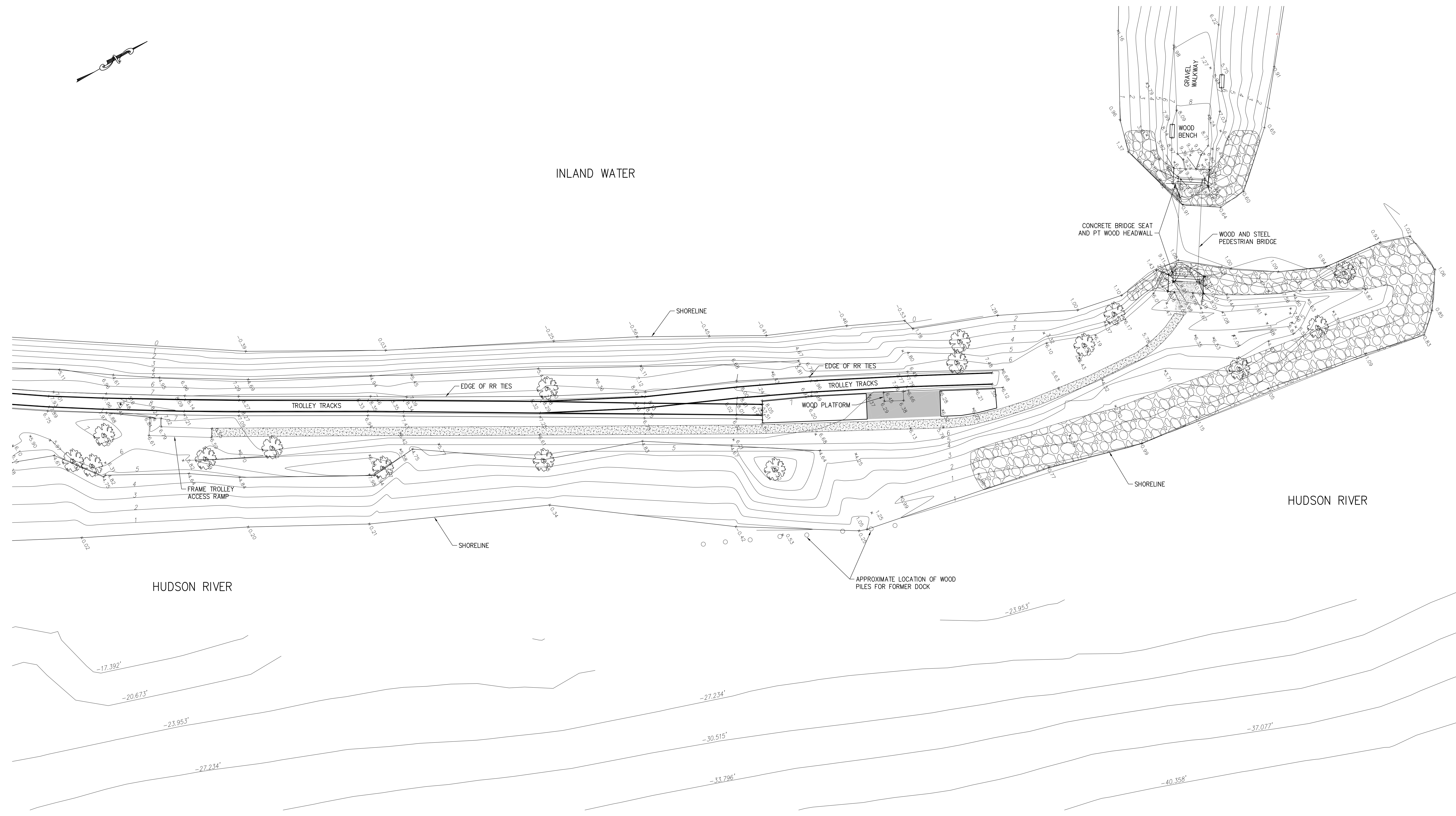




S:\1\BRIDGE\100\Submittal\2011-02-18\BRIDGE100\_Submittal\Contract\1\CI-General\BRIDGE100\_G002-00.dwg, 02/18/11, 11:10, KAH/BAM



GRAPHIC SCALES  
CHECK BEFORE USE

IF SHEET IS LESS THAN 24" X 36"  
IT IS A REDUCED PRINT.  
SCALE ACCORDINGLY

NO.	DESCRIPTION	DATE	BY	NO.	DESCRIPTION	DATE	BY



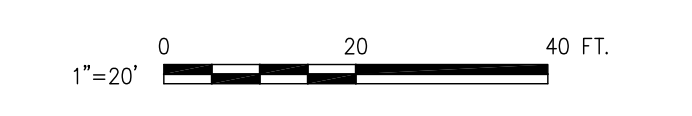
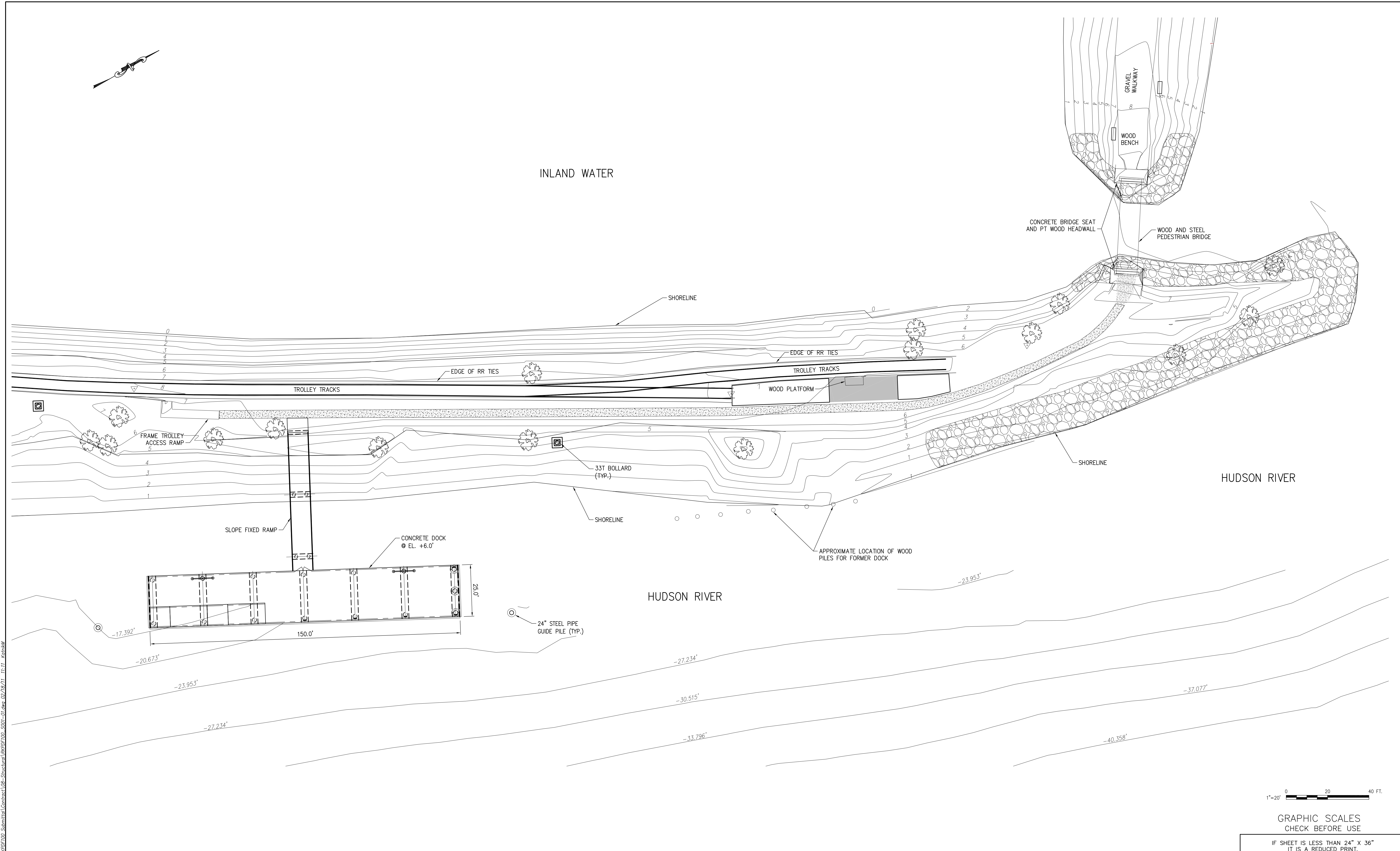
BRINNIER & LARIOS, PE  
67 MAIDEN LANE  
KINGSTON, NY

DESIGNED BY  
M.S.  
DRAWN BY  
M.K.  
CHECKED BY  
X.X.  
PROJECT ENGR  
X.X.

KINGSTON POINT DOCKING FACILITY  
CITY OF KINGSTON, NY

JOB DESCRIPTION  
EXISTING SURVEY PLAN

SCALE 1"=20'	REVISION
DATE 2/11/11	
DRAWING NO. G-2	



GRAPHIC SCALES  
CHECK BEFORE USE

IF SHEET IS LESS THAN 24" X 36"  
IT IS A REDUCED PRINT.  
SCALE ACCORDINGLY

S:\1\BRUNNIER\2011-02-18\BRUNNIER\Structural\KINGSTON\Contract\Contract\KINGSTON\02-18-11.dwg 02/18/11 11:11 46m/m

NO.	DESCRIPTION	DATE	BY	NO.	DESCRIPTION	DATE	BY
1	DOCK REVISION	2/11/11	M.S.				



BRINNIER & LARIOS, PE  
67 MAIDEN LANE  
KINGSTON, NY

DESIGNED BY  
M.S.  
DRAWN BY  
M.K.  
CHECKED BY  
X.X.  
PROJECT ENGR  
X.X.

KINGSTON POINT DOCKING FACILITY  
CITY OF KINGSTON, NY

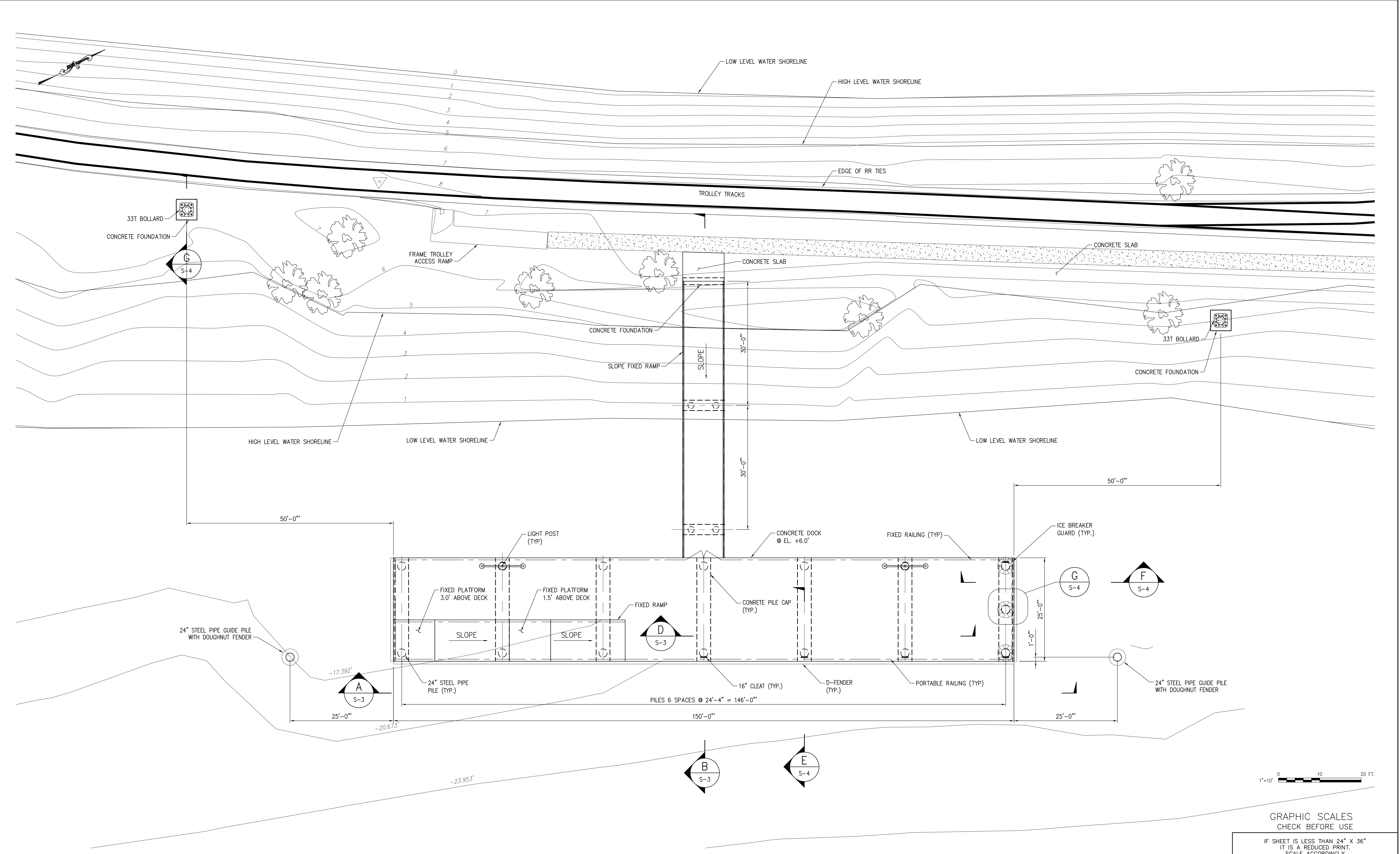
JOB DESCRIPTION  
PROPOSED OVERALL SITE PLAN

SCALE  
1"=20'  
DATE  
2/11/11

REVISION  
1

DRAWING NO.  
S-1

S:\1\BRUNNIE\2011-02-18\BRUNNIE\Submittal\Contract\08-Structural\BRUNNIE-0002-01.dwg, 02/18/11, 11:14, KrcnaM



GRAPHIC SCALES  
CHECK BEFORE USE

IF SHEET IS LESS THAN 24" X 36"  
IT IS A REDUCED PRINT.  
SCALE ACCORDINGLY

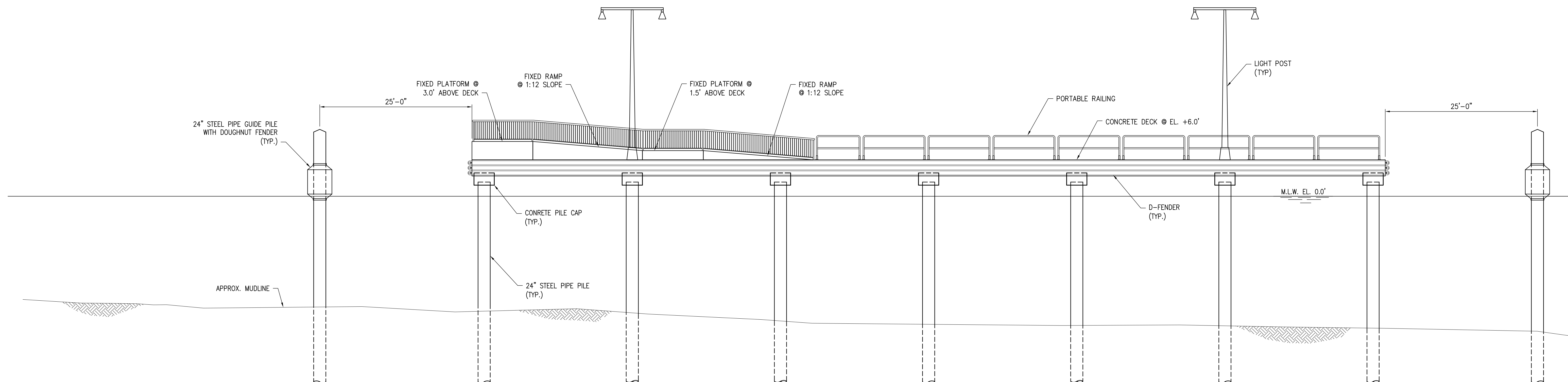
NO.	DESCRIPTION	DATE	BY	NO.	DESCRIPTION	DATE	BY
1	DOCK REVISION	2/11/11	M.S.				



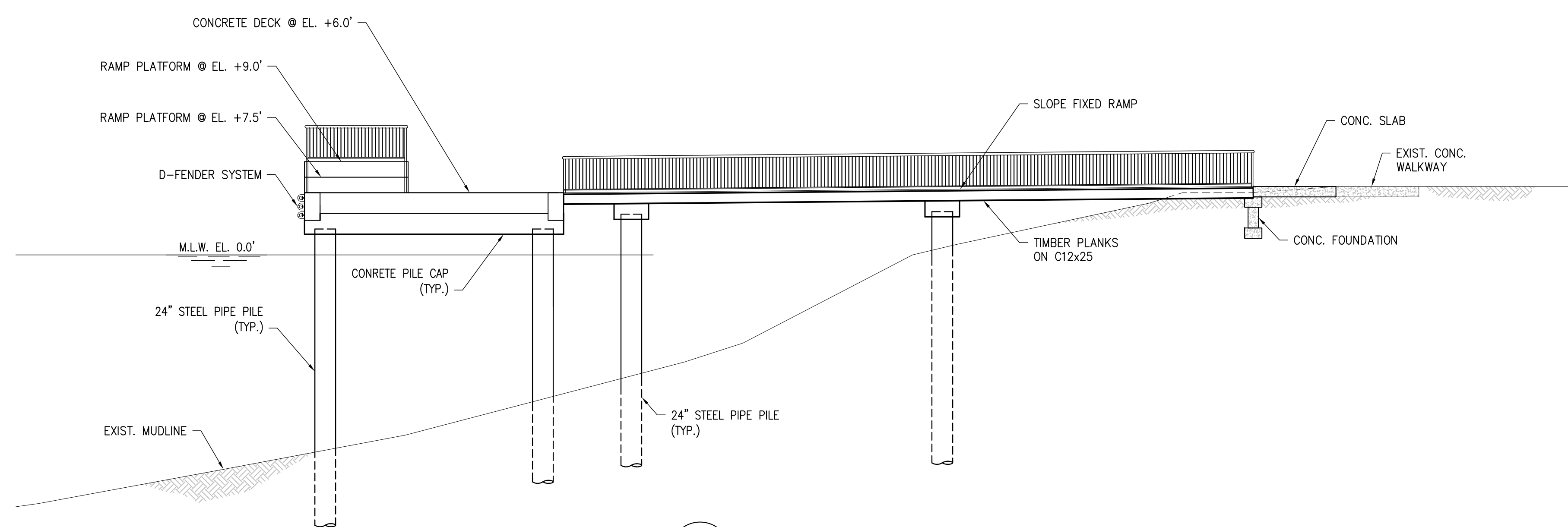
BRINNIER & LARIOS, PE  
67 MAIDEN LANE  
KINGSTON, NY

DESIGNED BY  
M.S.  
DRAWN BY  
M.K.  
CHECKED BY  
X.X.  
PROJECT ENGR  
X.X.

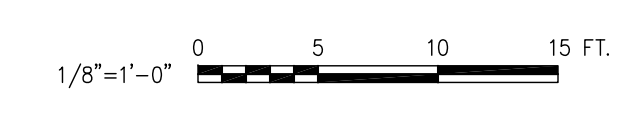
KINGSTON POINT DOCKING FACILITY CITY OF KINGSTON, NY		SCALE 1"=10'	REVISION 1
JOB DESCRIPTION PROPOSED DECK ARRANGEMENT		DRAWING NO. S-2	



**A** ELEVATION  
S-2 SCALE 1/8" = 1'-0"



**B** SECTION  
S-2 SCALE 1/8" = 1'-0"

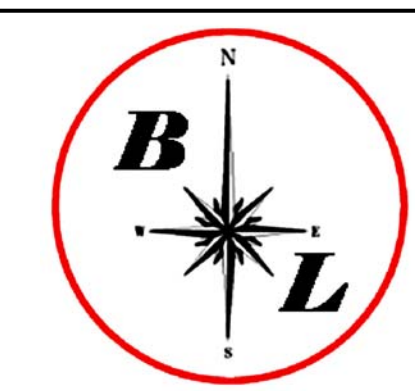


GRAPHIC SCALES  
CHECK BEFORE USE

IF SHEET IS LESS THAN 24" X 36"  
IT IS A REDUCED PRINT.  
SCALE ACCORDINGLY

S:\1\BR\BR\100\Submittal\2011-02-18\BR\BR\100-Submittal\Contract\108-Structural\BR\BR\100-3003-01.dwg, 02/18/11, 11:15, Krcn:m

NO.	DESCRIPTION	DATE	BY	NO.	DESCRIPTION	DATE	BY
1	DOCK REVISION	2/11/11	M.S.				

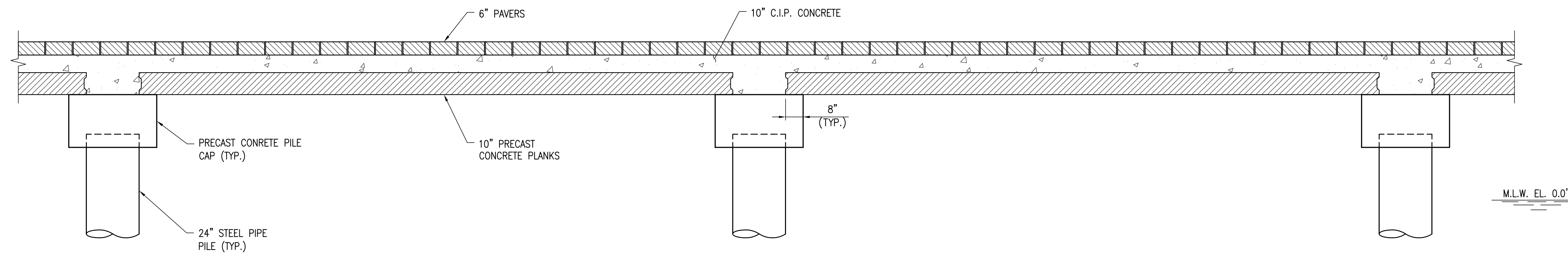


BRINNIER & LARIOS, PE  
67 MAIDEN LANE  
KINGSTON, NY

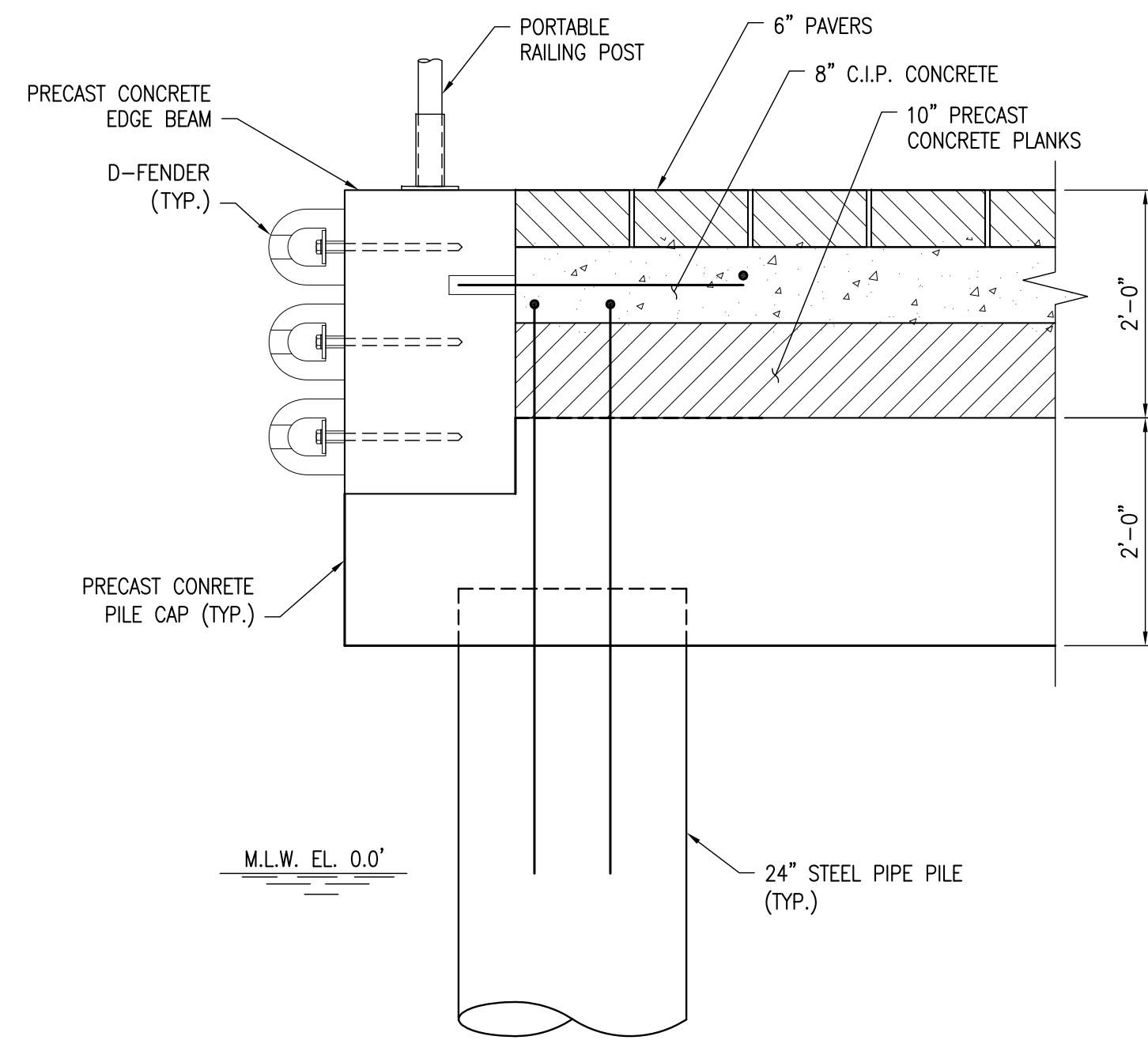
DESIGNED BY M.S.
DRAWN BY M.K.
CHECKED BY X.X.
PROJECT ENGR X.X.

KINGSTON POINT DOCKING FACILITY CITY OF KINGSTON, NY	
JOB DESCRIPTION	
PROPOSED SECTIONS AND ELEVATIONS	

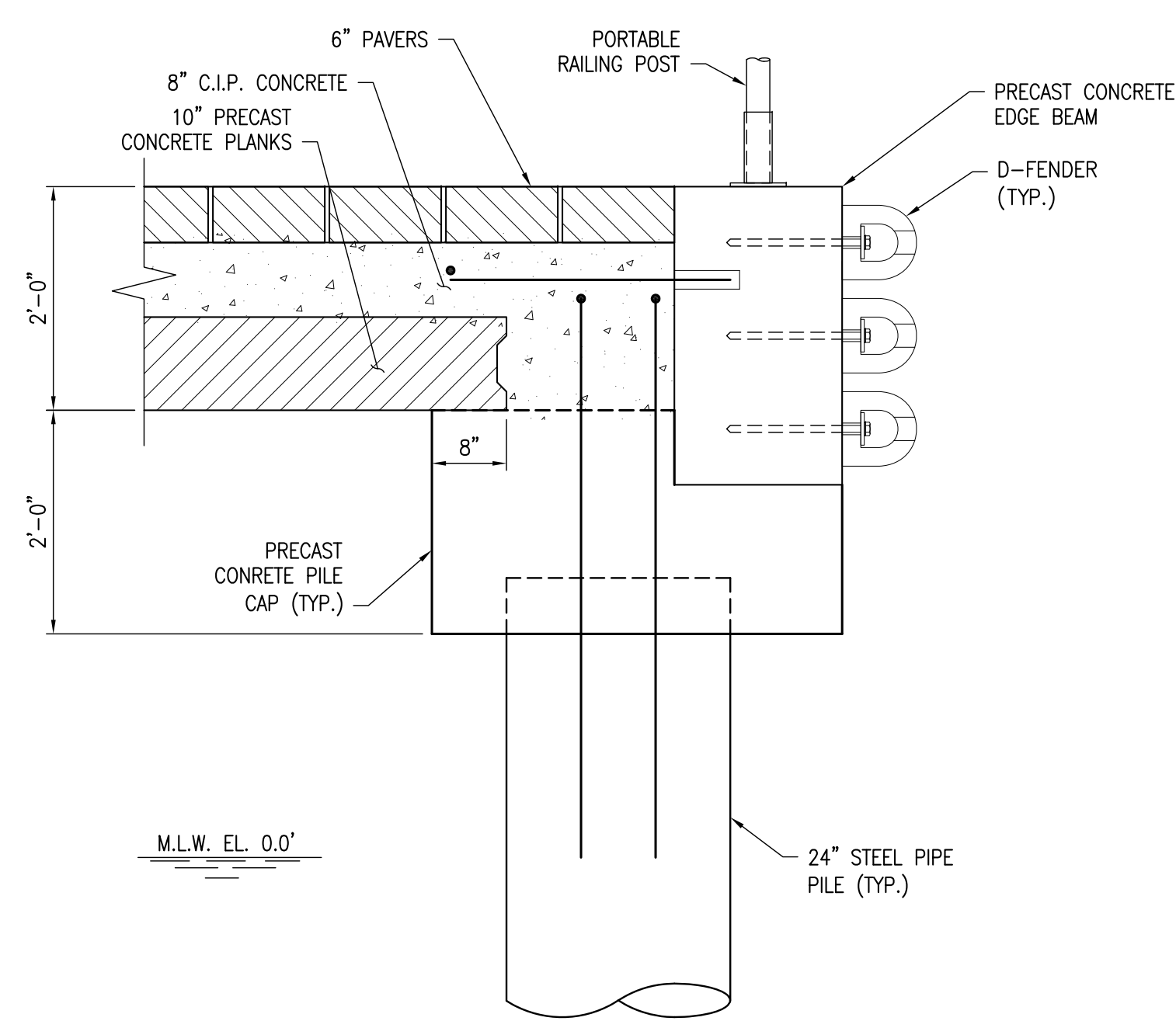
SCALE AS NOTED	REVISION <b>1</b>
DATE 2/11/11	DRAWING NO. <b>S-3</b>



**D SECTION**  
S-2 SCALE 3/8" = 1'-0"

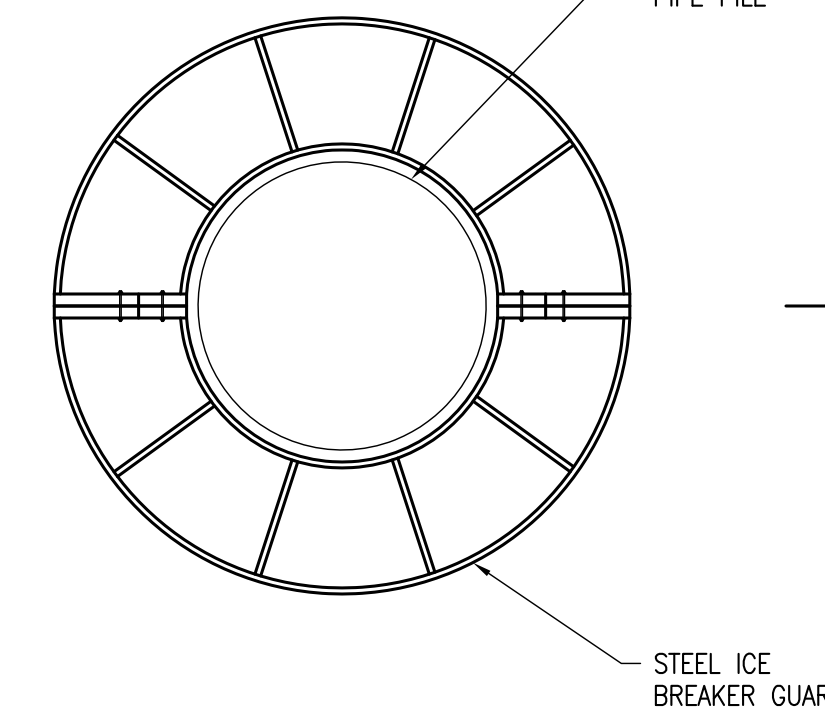
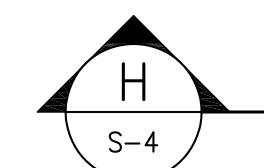


**E SECTION**  
S-2 SCALE 3/4" = 1'-0"

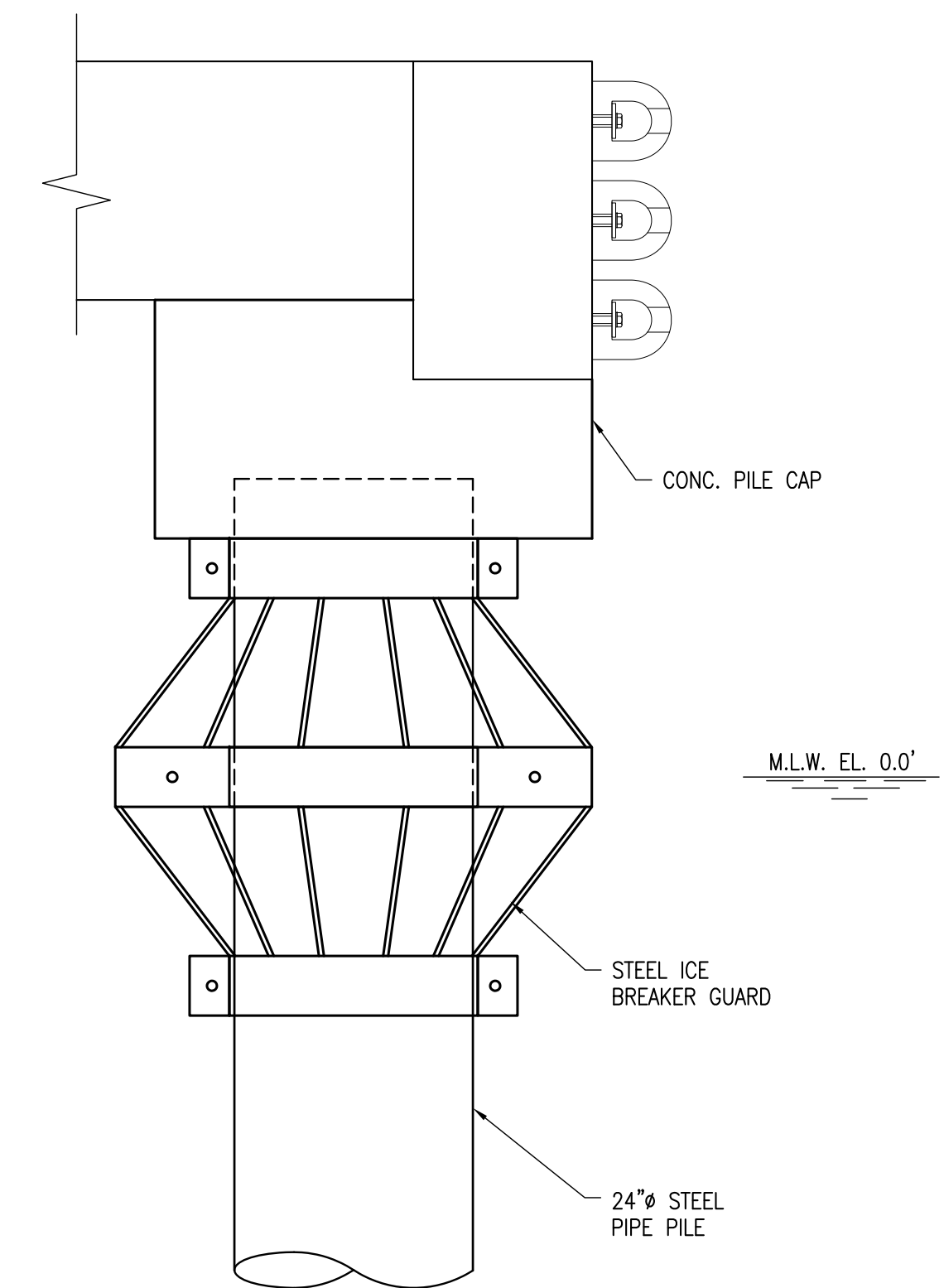


**F SECTION**  
S-2 SCALE 3/4" = 1'-0"

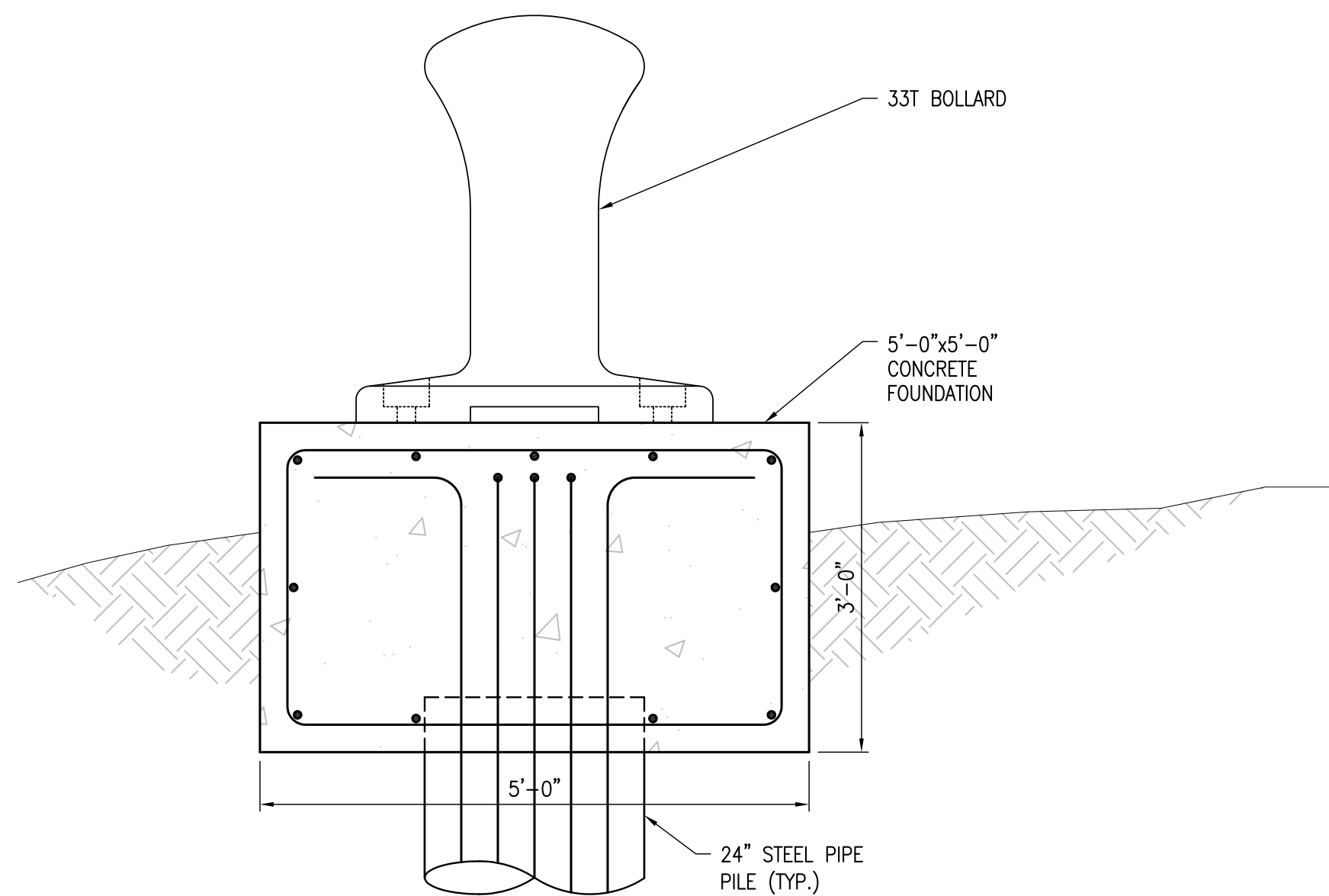
STEEL ICE BREAKER GUARD NOT SHOWN FOR CLARITY, SEE SECTION H



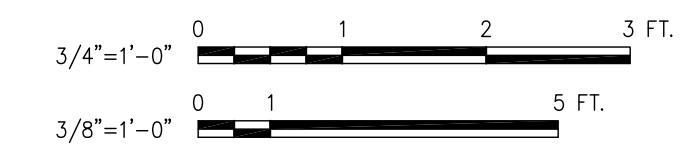
**G DETAIL**  
S-2 SCALE 3/4" = 1'-0"



**H SECTION**  
S-4 SCALE 3/4" = 1'-0"



**G SECTION**  
S-2 SCALE 3/4" = 1'-0"

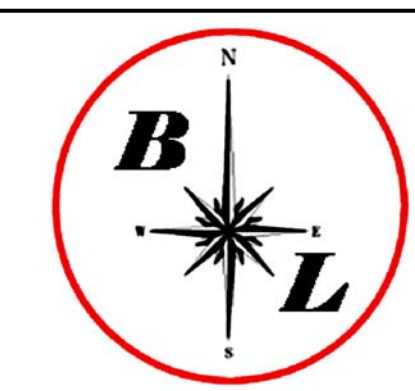


GRAPHIC SCALES  
CHECK BEFORE USE

IF SHEET IS LESS THAN 24" X 36"  
IT IS A REDUCED PRINT.  
SCALE ACCORDINGLY

S:\1\BRIDGE\100\Submittal\2011-02-18\BRIDGE\100-Structural\Bridges\100-5004-20.dwg, 02/28/11, 11:16, Kitchin

NO.	DESCRIPTION	DATE	BY	NO.	DESCRIPTION	DATE	BY



BRINNIER & LARIOS, PE  
67 MAIDEN LANE  
KINGSTON, NY

DESIGNED BY M.S.
DRAWN BY M.K.
CHECKED BY X.X.
PROJECT ENGR X.X.

KINGSTON POINT DOCKING FACILITY CITY OF KINGSTON, NY		SCALE AS NOTED	REVISION
JOB DESCRIPTION PROPOSED SECTIONS		DATE 2/11/11	DRAWING NO. S-4